

KNIFE GATE VALVE

The Knife Gate ValveSERIES Valve is a lined valve with a WCB body and the corrosion resistance of stainless steel wetted parts. This valve is designed for pulp and paper, chemicals, mining and petroleum industries to handle dense mixtures of stock and slurries.

Standard Feature

- Available in sizes from 2" through 36"
- Pressure Rating: 10 Bar, standard (150psi)
16 Bar on request
- 304 stainless steel gate and stem standard
- Double seat design for heavy duty slurry service
- Full bore
- When open, the knife-gate is fully withdrawn from the slurry flow
- Bubble tight shutoff
- External epoxy coated
- Easily adapted to suit most actuators
- Low maintenance requirements
- Suitable for wet or dry service

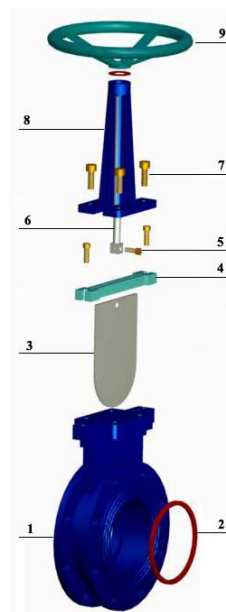


Optional Feature

- Actuator options: handwheel/bevel gear/pneumatic/hydraulic/electric
- Seat material options: Resilient-EPDM, standard/PTFE; Metal-Hard Steel, standard/S.S.
- Rising, standard/Non-rising stem

Parts list and Material

No.	Parts name	Material
1	Body	WCB
2	Seat	EPDM, PTFE/Steel, S.S.
3	Gate	S.S.
4	Gland	WCB
5	Pin	S.S.
6	Stem	S,S,
7	Bolts & Nuts	Steel
8	Support	WCB
9	Hand wheel	Steel



Design Specification

BODY

- Wafer style cast steel body as standard.
- Internal cast-in gate wedges and guides allows for tighter shut-off.
- Full port design for greater flow capacity and minimal pressure drop.
- Internal design avoids any build up of solids that would prevent valve from closing.

GATE

- Stainless steel gate as standard.
- Gate is polished on both sides to avoid jamming and seat damage.
- Bottom of the gate edge is machined to a bevel to cut through solids for a tighter seal in the closed position.

SEAT(resilient)

- Unique design that mechanically locks the seat in the internal of the valve body with a stainless steel retainer ring.
- Standard EPDM also available in different materials such as PTFE etc.

SEAT(metal to metal)

- Hard Steel or stainless steel is available.

PACKING

- Long-life packing with several layers of braided fibre plus an EPDM o-ring with an easy access packing gland ensuring a tight seal.

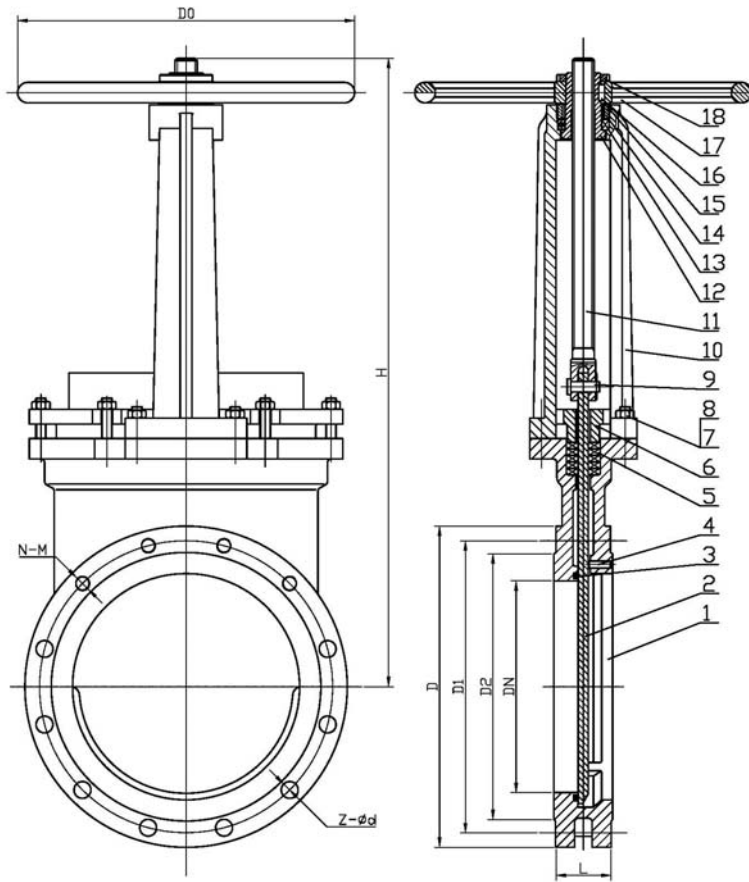
STEM

- The standard stainless steel stem offers a long corrosion resistant life.

EPOXY COATING

- The epoxy coating on all cast steel valve bodies and components is electrostatically applied making the valves to be corrosion resistant with a high quality finished surface.

Dimension



PN (MPa)	DN (mm)	L (mm)	D (mm)	D ₁ (mm)	D ₂ (mm)	H (mm)	N-M	D ₀ (mm)
1.0	50	48	160	125	100	285	4-M16	180
	65	48	180	145	120	298	4-M16	180
	80	50	195	160	135	315	4-M16	220
	100	50	215	180	155	365	8-M16	220
	125	57	245	210	185	400	8-M16	230
	150	57	280	240	210	475	8-M20	280
	200	70	335	295	265	540	8-M20	360
	250	70	390	350	320	630	12-M20	360
	300	76	440	400	368	780	12-M20	400
	350	76	500	460	429	885	16-M20	400
	400	89	565	515	482	990	16-M22	400
	450	89	615	565	532	1100	20-M22	530
	500	114	670	620	585	1200	20-M22	530
	600	114	780	725	685	1450	20-M27	600
	700	130	895	940	800	1700	24-M27	600
	800	130	1010	950	905	2000	24-M30	680
900	140	1110	1050	1005	2300	28-M30	680	

*Other dimensions are on request.